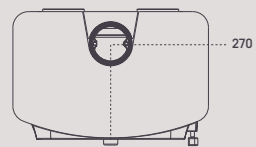
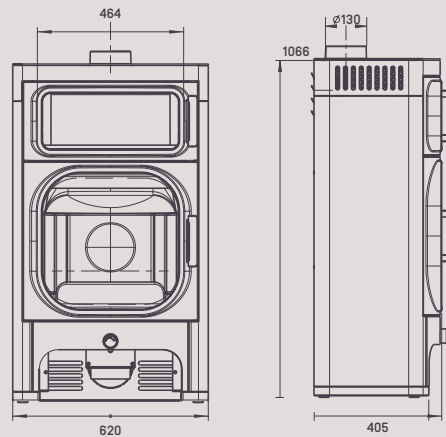


HEIDI BACK

Baking, frying, heating and looking incredibly good at the same time? Only Heidi can do that! A large ceramic hob throughout offers plenty of space to keep everything warm, while the baking compartment can be used to prepare roasts, cakes, pizza or bread, and other delicious foods. Of course, the pleasure factor is not neglected when heating either. A generous cast iron door allows an unrestricted view of the dancing flames while you enjoy their cosy warmth. The icing on the cake is provided by the new Air+ automatic air control as an accessory, which automatically regulates the air supply and thus ensures perfect heating results!



Optional bottom drawer.



Fine-grained cast iron meets elegant walnut.

HEIDI
BACK



PALLAS

BACK

